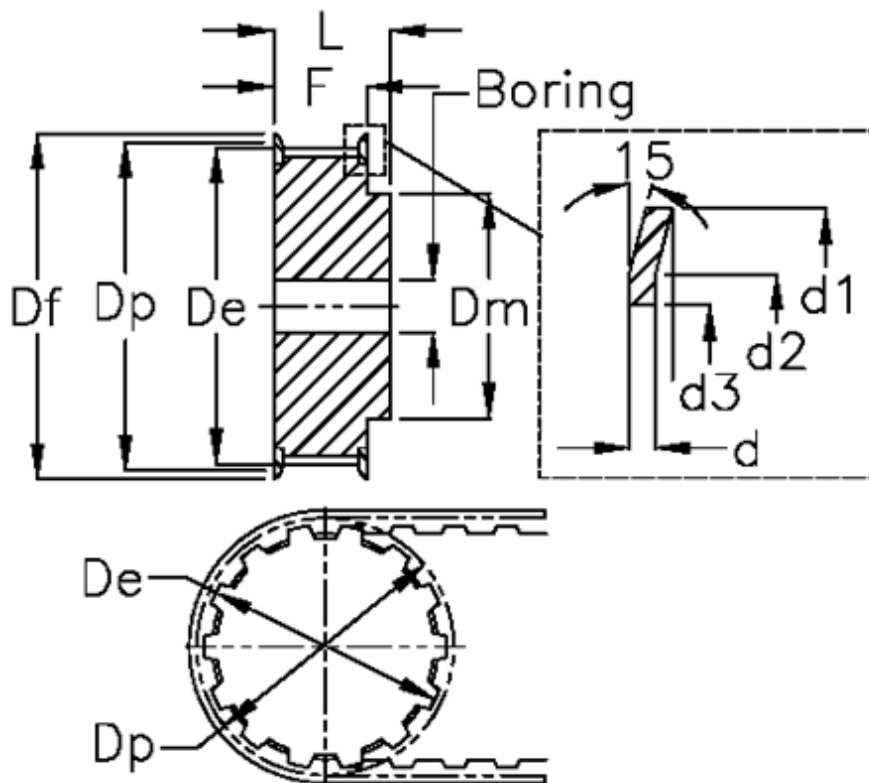


Article number: 604146015037

Description: Timing belt pulley with hub
15 XL 037

Measures



d = 1	F = 14.3	Width = XL 037
d1 = 28	Flange type = F09	
d2 = 24	L = 19.8	
d3 = 17.8	Max bore = 11.1	
De = 23.75	Pitch = 1/5"	
Df = 28	Pre-drilled = 6	
Dm = 15.9	Tooth number = 15	
Dp = 24.26	Weight = 0.07	